

ONLY ORIGINAL WITH THE DIAMOND



PUMP TECHNOLOGY

High efficiency pumps



| www.wita.de |

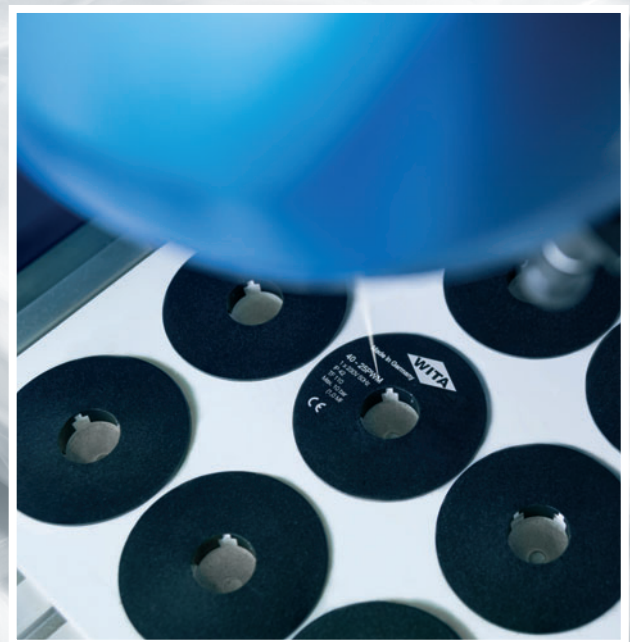


High efficiency pumps





High efficiency pumps





High efficiency pumps



Pump Technology

Since more than 50 years the company WITA is developing and producing high quality products for heating systems in Germany. Our quality management is certified according to DIN EN ISO 9001: 2008.

Through uncompromising high quality standards, coupled with multiple application possibilities of our pumps, we are able to offer optimal solutions for the almost usages.

The high efficiency WITA - Pumps are usable in the areas of heating, domestic hot water and solar technology. Every day, the research and development department is working on new innovative solutions to facilitate the daily life for the skilled crafts also in the future.



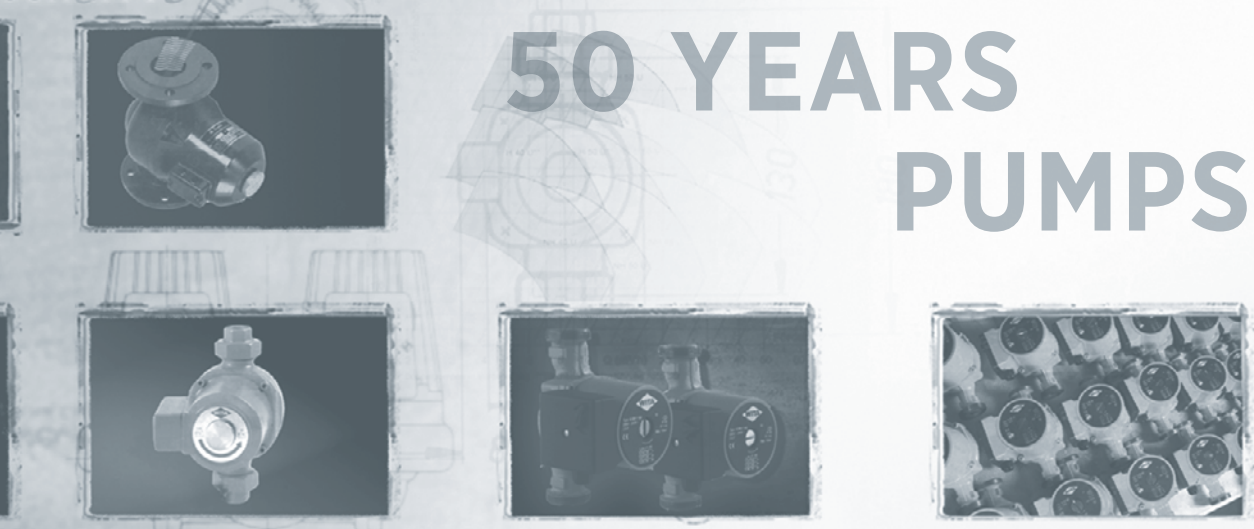
Product Advantage

- Maximum efficiency due to ECM - Technology
- Integrated motor protection
- Varied range of applications because of the cathaphoresis coated grey cast iron pump housings
- WITA - High efficiency pump motors are backwards compatible to the most previous series



High efficiency pumps

50 YEARS PUMPS



List

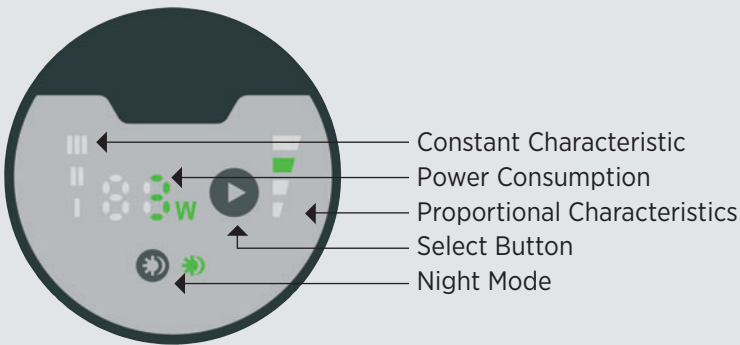
Display	6
WITA Delta HE 35 55 LED	8
WITA Delta HE 35 55 LCD	9
WITA Delta HE <i>light</i> 40 60	10
WITA go.future 40 60 LED	11
WITA go.future 40 60 LCD	12
WITA go.future <i>light</i> 40 60	13
WITA Delta UP 70	14
WITA Delta MIDI 40 MIDI 60	15
WITA Delta TOP 40 TOP 60	16
WITA – Quality made in Germany	17
WITA Delta MAXI 80	18
WITA Delta Plus UE 35A UE 55A	19
WITA Delta Plus UE 65A UE 80A	20
WITA Delta Plus UE 70A UE 75A	21
WITA Delta HE 75	22
WITA Delta HE 100 HE 120	23
WITA Delta HE 75 F	24
WITA Delta HE 100 F HE 120 F	25
WITA Delta Aqua UE 35A UE 55A	26
WITA UPH 15® UPH 20-KS	27
WITA U 25	28
WITA U 35	29
WITA U 55	30
WITA U 75	31
List of circulating pumps	32
Exchange overview circulating pumps	34



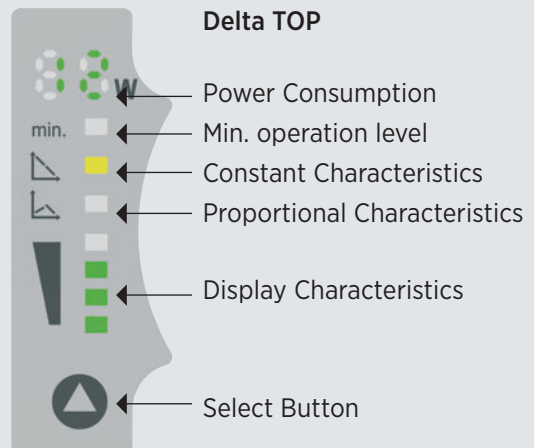
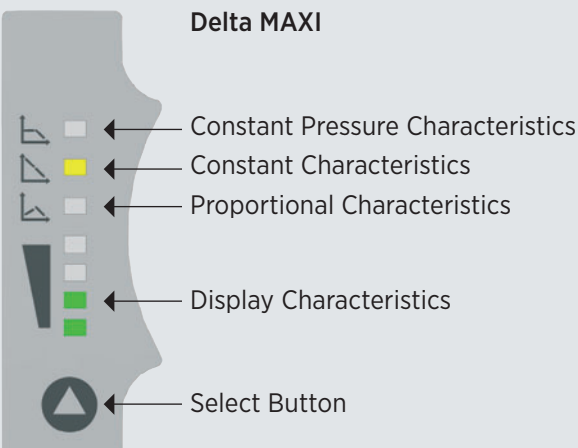
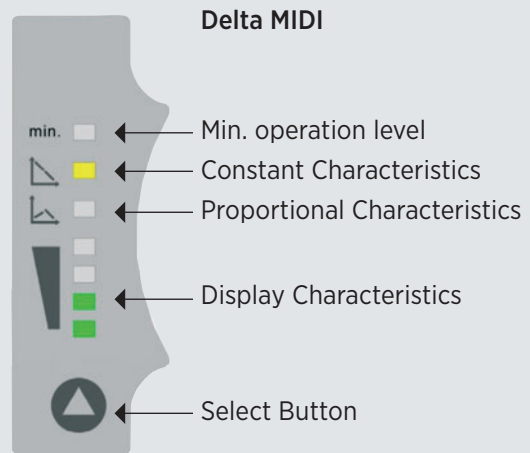
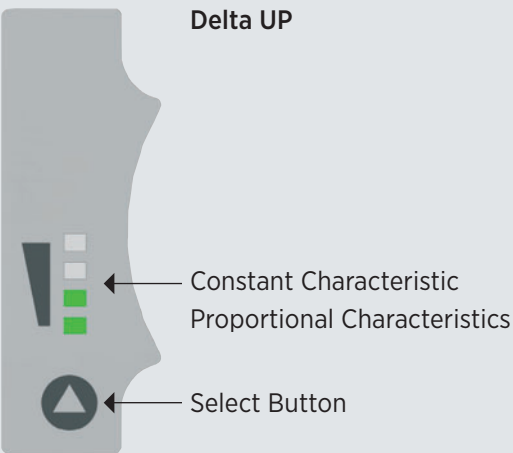
High efficiency pumps

Display

Display HE-Pumps



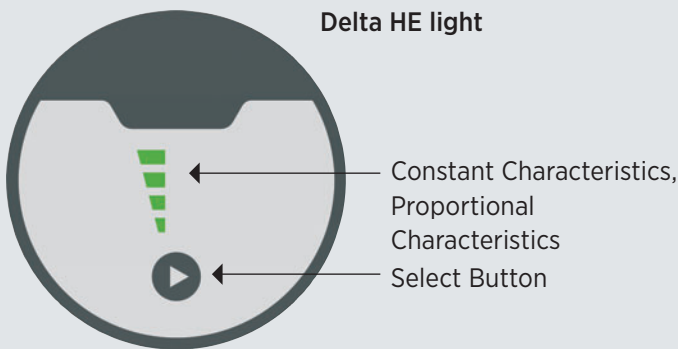
Display Delta UP, MIDI und MAXI



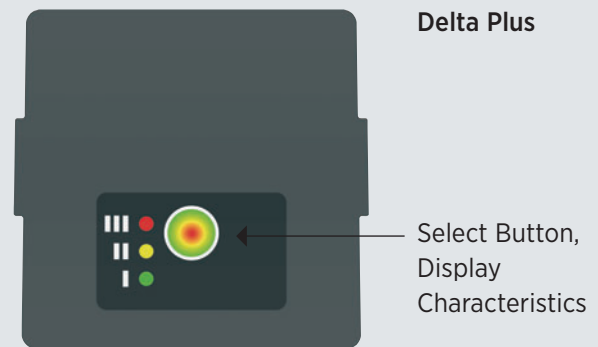
High efficiency pumps

Display

Display HE light



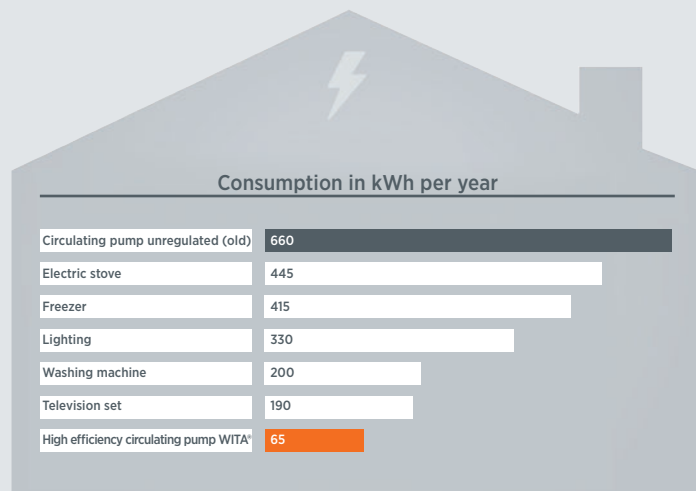
Display Delta Plus



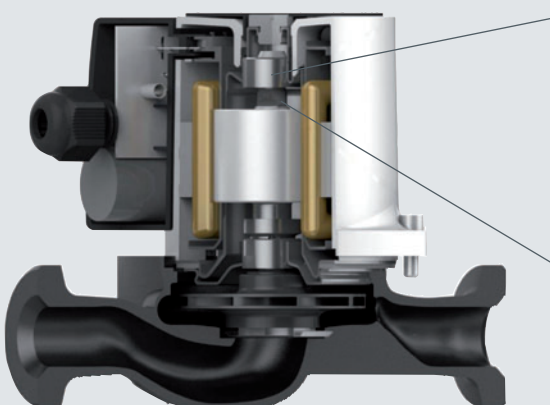
Economics

Due to the constantly increasing energy costs and the enormous consumption of the uncontrolled 3 stage pumps, a replacement by a highly efficient circulating pump is absolutely recommended.

Depending on the purchase and installation costs, the WITA high-efficiency pump already pays off after 2-3 years due to the power savings.



Pump cross section



Rotor shaft

- Made of high quality ceramics
- very low manufacturing tolerances
- high fitting accuracy
- very good dimensional stability during temperature changes
- low wastage



Separating can with permanent magnet rotor

- Separating can is made of stainless steel
- very low manufacturing tolerances
- Ceramic bearing with very low wastage
- High-quality permanent magnet rotor made of Ferro or Neodyn





High efficiency pumps

WITA Delta HE 35 | 55 LED

Product specials

- Warranty
- Night mode
- Anti-block function

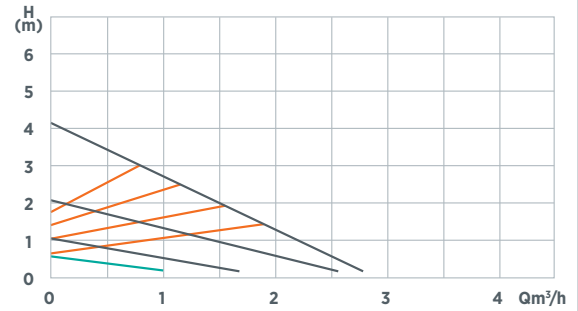


Technical Data

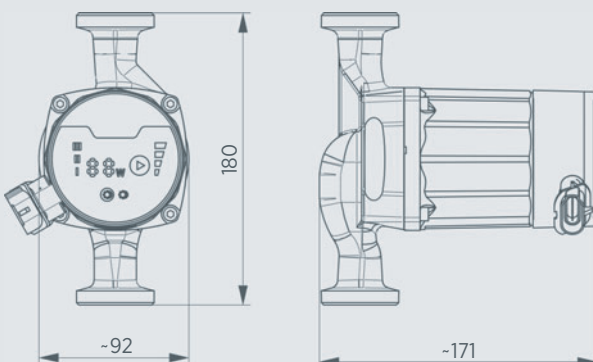
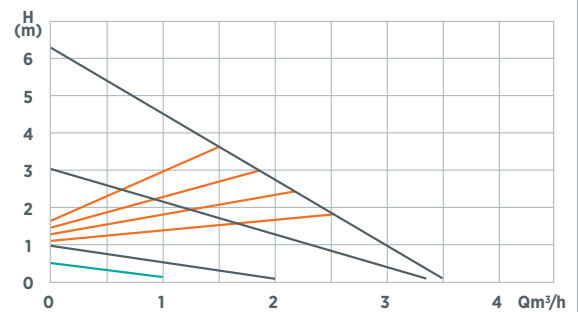
Max. pump lift	4.0 m 6.0 m
Max. flow rate	2.600 l/h 3.200 l/h
Power consumption	3 - 23 W 3 - 38 W
Control	3 constant characteristics, 4 proportional characteristics, night mode, anti-block function
Supply voltage	1 x 230V, 50 Hz
Motor protection	No external motor protection required
IP rating	IP 42
Ambient temperature	0 °C to +40 °C
Media temperature	+5 °C to +110 °C
Temperature class	TF 110 as per CEN 335-2-51
Max. system pressure	10 bar
Connection size	DN 15, DN 20, DN 25, DN 32
Installation lengths	110 mm, 130 mm, 180 mm
Pump housing material	130 mm, 180 mm variant in grey cast iron cataphoresis coated; 110 mm, 130 mm variant in brass
Weight incl. insulation	2.5 kg
EEI	≤ 0.20



Characteristic WITA Delta HE 35 LED



Characteristic WITA Delta HE 55 LED



High efficiency pumps

WITA Delta HE 35 | 55 LCD

Product specials

- Warranty
- Display of the current power consumption
- Night mode
- Anti-block function
- Air vent program

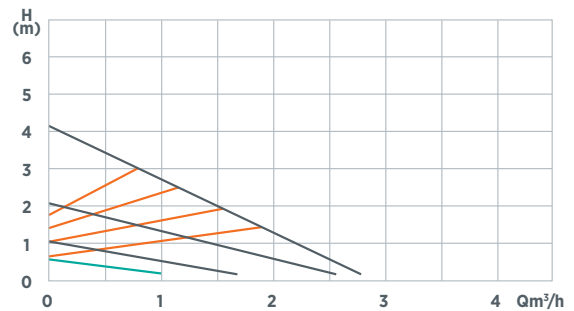


Technical Data

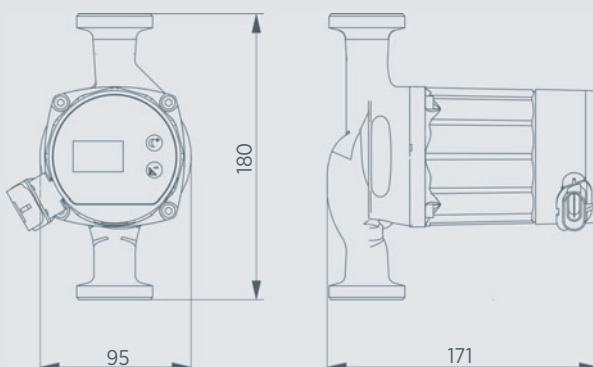
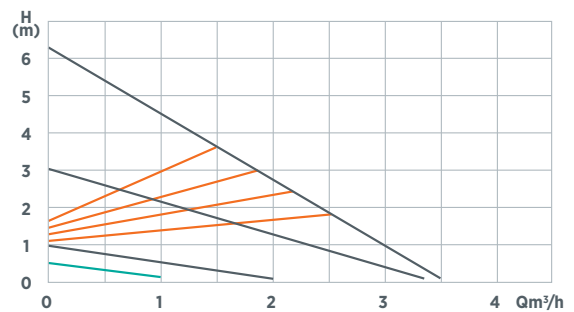
Max. pump lift	4.0 m 6.0 m
Max. flow rate	2.600 l/h 3.200 l/h
Power consumption	3 - 23 W 3 - 38 W
Control	3 constant characteristics, 4 proportional characteristics, night mode, anti-block function, air vent program
Supply voltage	1 x 230V, 50 Hz
Motor protection	No external motor protection required
IP rating	IP 42
Ambient temperature	0 °C to +40 °C
Media temperature	+5 °C to +110 °C
Temperature class	TF 110 as per CEN 335-2-51
Max. system pressure	10 bar
Connection size	DN 15, DN 20, DN 25, DN 32
Installation lengths	110 mm, 130 mm, 180 mm
Pump housing material	130 mm, 180 mm variant in grey cast iron cataphoresis coated; 110 mm, 130 mm variant in brass
Weight incl. insulation	2.5 kg
EEI	≤ 0.20



Characteristic WITA Delta HE 35 LCD



Characteristic WITA Delta HE 55 LCD





High efficiency pumps

WITA Delta HE *light* 40 | 60

Product specials

- Warranty
- Anti-block function

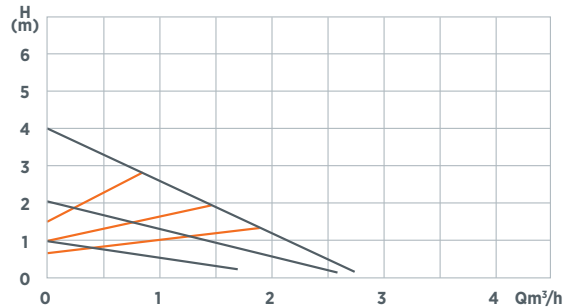


Technical Data

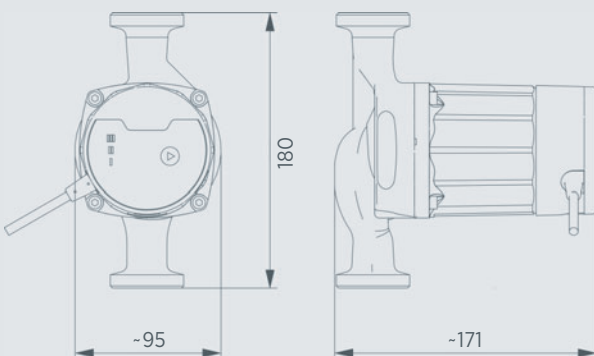
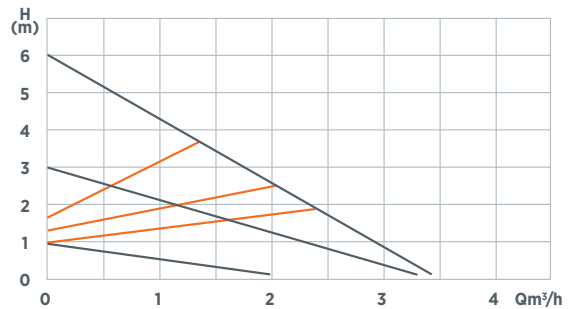
Max. pump lift	4.0 m 6.0 m
Max. flow rate	2.600 l/h 3.200 l/h
Power consumption	4 - 23 W 5 - 38 W
Control	3 constant characteristics, 3 proportional characteristics, anti-block function
Supply voltage	1 x 230V, 50 Hz
Motor protection	No external motor protection required
Ip rating	IP 42
Ambient temperature	0 °C to +40 °C
Media temperature	+5 °C to +110 °C
Temperature class	TF 110 as per EN 60335-2-51
Max. system pressure	10 bar
Connection size	DN 15, DN 20, DN 25, DN 32
Installation lengths	110 mm, 130 mm, 180 mm
Pump housing material	130 mm, 180 mm variant in grey cast iron cataphoresis coated; 110 mm, 130 mm variant in brass
Weight incl. insulation	2.5 kg
EEI	≤ 0.20



Characteristic WITA Delta HE *light* 40



Characteristic WITA Delta HE *light* 60



High efficiency pumps

WITA go.future 40 | 60 LED

Product specials

- Warranty
- Night mode
- Anti-block function

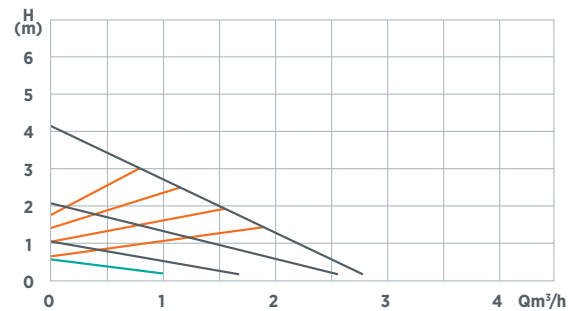


Technical Data

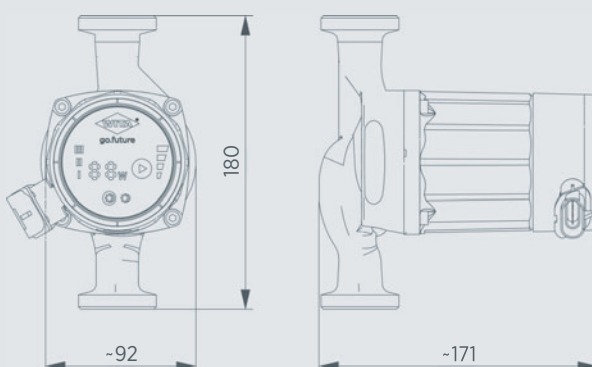
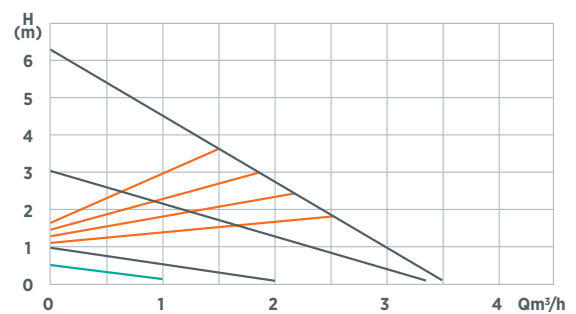
Max. pump lift	4.0 m 6.0 m
Max. flow rate	2.600 l/h 3.200 l/h
Power consumption	3 - 23 W 3 - 38 W
Control	3 constant characteristics, 4 proportional characteristics, night mode, anti-block function
Supply voltage	1 x 230V, 50 Hz
Motor protection	No external motor protection required
Ip rating	IP 42
Ambient temperature	0 °C to +40 °C
Media temperature	+5 °C to +110 °C
Temperature class	TF 110 as per EN 60335-2-51
Max. system pressure	10 bar
Connection size	DN 15, DN 20, DN 25, DN 32
Installation lengths	110 mm, 130 mm, 180 mm
Pump housing material	130 mm, 180 mm variant in grey cast iron cataphoresis coated; 110 mm, 130 mm variant in brass
Weight incl. insulation	2.5 kg
EEI	≤ 0.20



Characteristic WITA go.future LED 40



Characteristic WITA go.future LED 60





High efficiency pumps

WITA go.future 40 | 60 LCD

Product specials

- Warranty
- Display of the current power consumption
- Night mode
- Anti-block function
- Air vent program

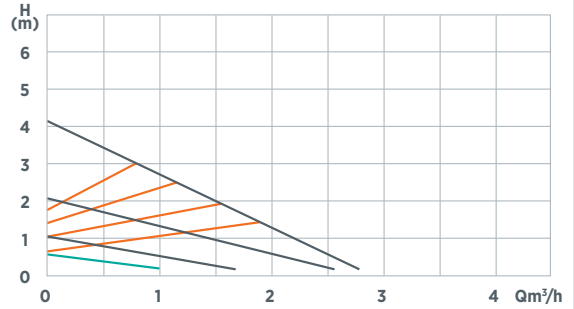


Technical Data

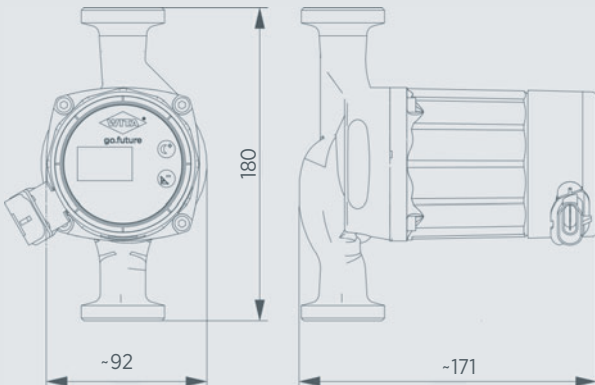
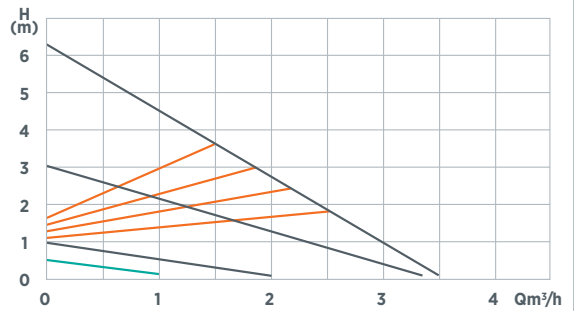
Max. pump lift	4.0 m 6.0 m
Max. flow rate	2.600 l/h 3.200 l/h
Power consumption	3 - 23 W 3 - 38 W
Control	3 constant characteristics, 4 proportional characteristics, night mode, anti-block function, air vent program
Supply voltage	1 x 230V, 50 Hz
Motor protection	No external motor protection required
Ip rating	IP 42
Ambient temperature	0 °C to +40 °C
Media temperature	+5 °C to +110 °C
Temperature class	TF 110 as per EN 60335-2-51
Max. system pressure	10 bar
Connection size	DN 15, DN 20, DN 25, DN 32
Installation lengths	110 mm, 130 mm, 180 mm
Pump housing material	130 mm, 180 mm variant in grey cast iron cataphoresis coated; 110 mm, 130 mm variant in brass
Weight incl. insulation	2.5 kg
EEI	≤ 0.20



Characteristic WITA go.future LCD 40



Characteristic WITA go.future LCD 60



High efficiency pumps

WITA go.future light 40 | 60

Product specials

- Warranty
- Anti-block function

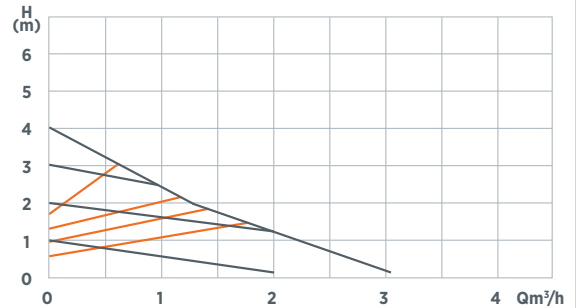

 EEI
 $\leq 0,18$

Technical Data

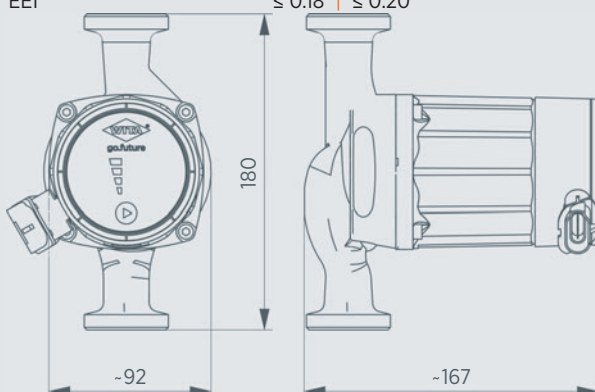
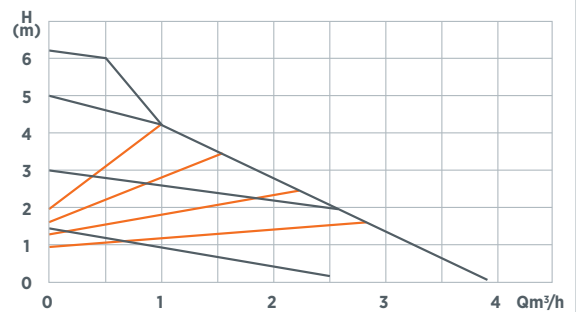
Max. pump lift	4.0 m 6.0 m
Max. flow rate	2.800 l/h 3.600 l/h
Power consumption	3 - 23 W 3 - 42 W
Control	4 constant characteristics, 4 proportional characteristics, anti-block function
Supply voltage	1 x 230V, 50 Hz
Motor protection	No external motor protection required
Ip rating	IP 42
Ambient temperature	0 °C to +40 °C
Media temperature	+5 °C to +110 °C
Temperature class	TF 110 as per EN 60335-2-51
Max. system pressure	10 bar
Connection size	DN 15, DN 20, DN 25, DN 32
Installation lengths	110 mm, 130 mm, 180 mm
Pump housing material	130 mm, 180 mm variant in grey cast iron cataphoresis coated; 110 mm, 130 mm variant in brass
Weight incl. insulation	2.5 kg
EEI	$\leq 0,18$ $\leq 0,20$

 ErP
 2015+

Characteristic WITA go.future light 40



Characteristic WITA go.future light 60





High efficiency pumps

WITA Delta UP 70

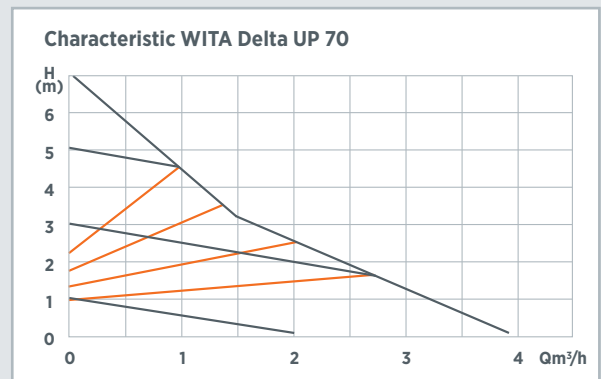
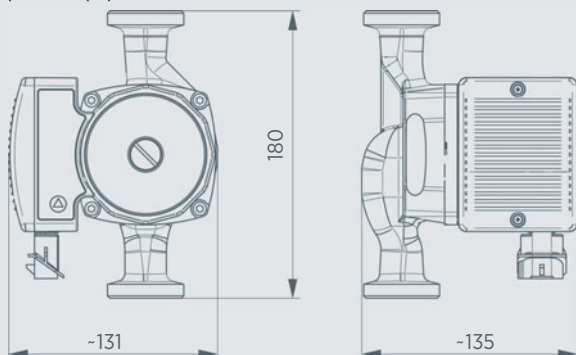
Product specials

- Warranty
- Air vent program
- Keylock
- Anti-block function
- Also available with PWM module



Technical Data

Max. pump lift	7.0 m
Max. flow rate	3.900 l/h
Power consumption	4 - 42 W
Control	4 constant characteristics, 4 proportional characteristics, Air vent program, Keylock anti-block function
Supply voltage	1 x 230V, 50 Hz
Motor protection	No external motor protection required
Ip rating	IP 42
Ambient temperature	0 °C to +40 °C
Media temperature	+5 °C to +110 °C
Temperature class	TF 110 as per CEN 335-2-51
Max. system pressure	10 bar
Connection size	DN 15, DN 20, DN 25, DN 32
Installation lengths	110 mm, 130 mm, 180 mm
Pump housing material	130 mm, 180 mm variant in grey cast iron cataphoresis coated; 110 mm, 130 mm variant in brass
Weight incl. insulation	2.5 kg
EEI	≤ 0.15
Special equipment	Also available with PWM module





High efficiency pumps

WITA Delta MIDI 40 | MIDI 60

Product specials

- Warranty
- Air vent program
- Keylock
- Anti-block function
- Also available with PWM module

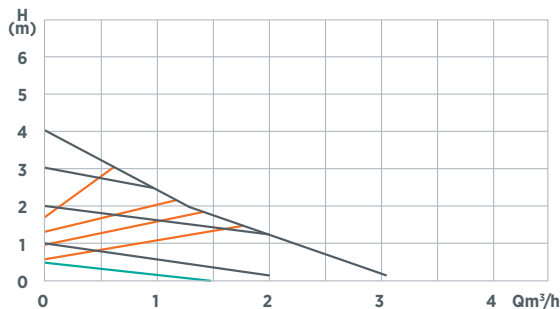


Technical Data

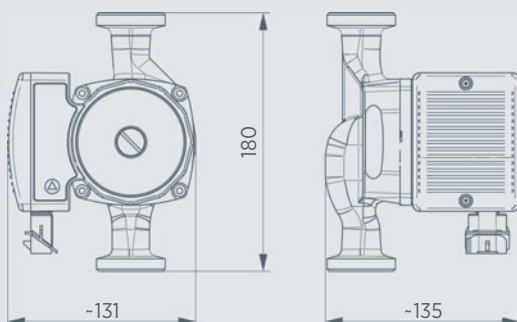
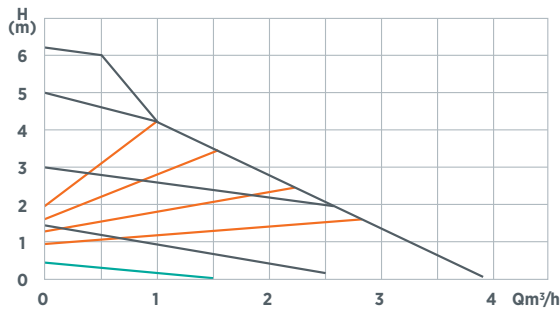
Max. pump lift	4.0 m 6.0 m
Max. flow rate	2.800 l/h 3.600 l/h
Power consumption	3 - 23 W 3 - 42 W
Control	4 constant characteristics, 4 proportional characteristics, Air vent program, Keylock anti-block function
Supply voltage	1 x 230V, 50 Hz
Motor protection	No external motor protection required
Ip rating	IP 42
Ambient temperature	0 °C to +40 °C
Media temperature	+5 °C to +110 °C
Temperature class	TF 110 as per CEN 335-2-51
Max. system pressure	10 bar
Connection size	DN 15, DN 20, DN 25, DN 32
Installation lengths	110 mm, 130 mm, 180 mm
Pump housing material	130 mm, 180 mm variant in grey cast iron cataphoresis coated; 110 mm, 130 mm variant in brass
Weight incl. insulation	2.5 kg
EEI	≤ 0.18 ≤ 0.20
Special equipment	Also available with PWM module



Characteristic WITA Delta MIDI 40



Characteristic WITA Delta MIDI 60





High efficiency pumps

WITA Delta TOP 40 | TOP 60

Product specials

- Warranty
- Air vent program
- Keylock
- Anti-block function
- Also available with PWM module

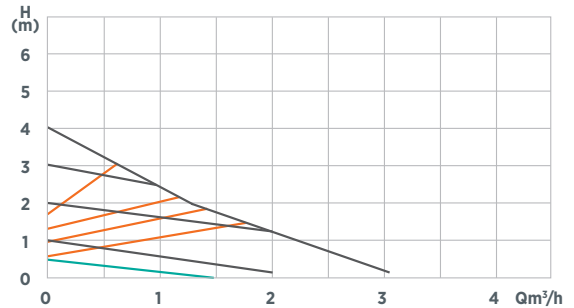


Technical Data

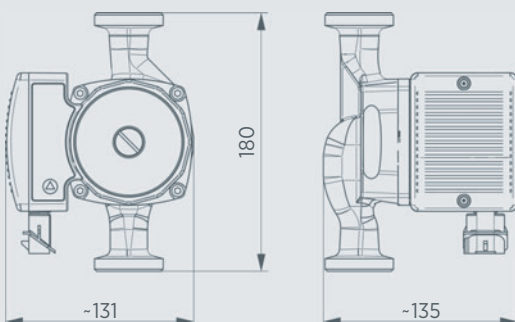
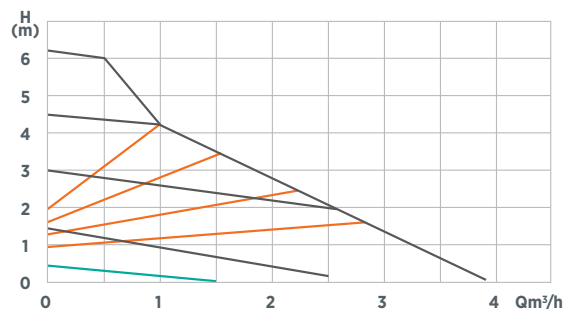
Max. pump lift	4.0 m 6.0 m
Max. flow rate	2.800 l/h 3.600 l/h
Power consumption	3 - 23 W 3 - 42 W
Control	4 constant characteristics, 4 proportional characteristics, Air vent program, Keylock anti-block function
Supply voltage	1 x 230V, 50 Hz
Motor protection	No external motor protection required
Ip rating	IP 42
Ambient temperature	0 °C to +40 °C
Media temperature	+5 °C to +110 °C
Temperature class	TF 110 as per CEN 335-2-51
Max. system pressure	10 bar
Connection size	DN 15, DN 20, DN 25, DN 32
Installation lengths	110 mm, 130 mm, 180 mm
Pump housing material	130 mm, 180 mm variant in grey cast iron cataphoresis coated; 110 mm, 130 mm variant in brass
Weight incl. insulation	2.5 kg
EEI	≤ 0.18 ≤ 0.20
Special equipment	Also available with PWM module



Characteristic WITA Delta TOP 40



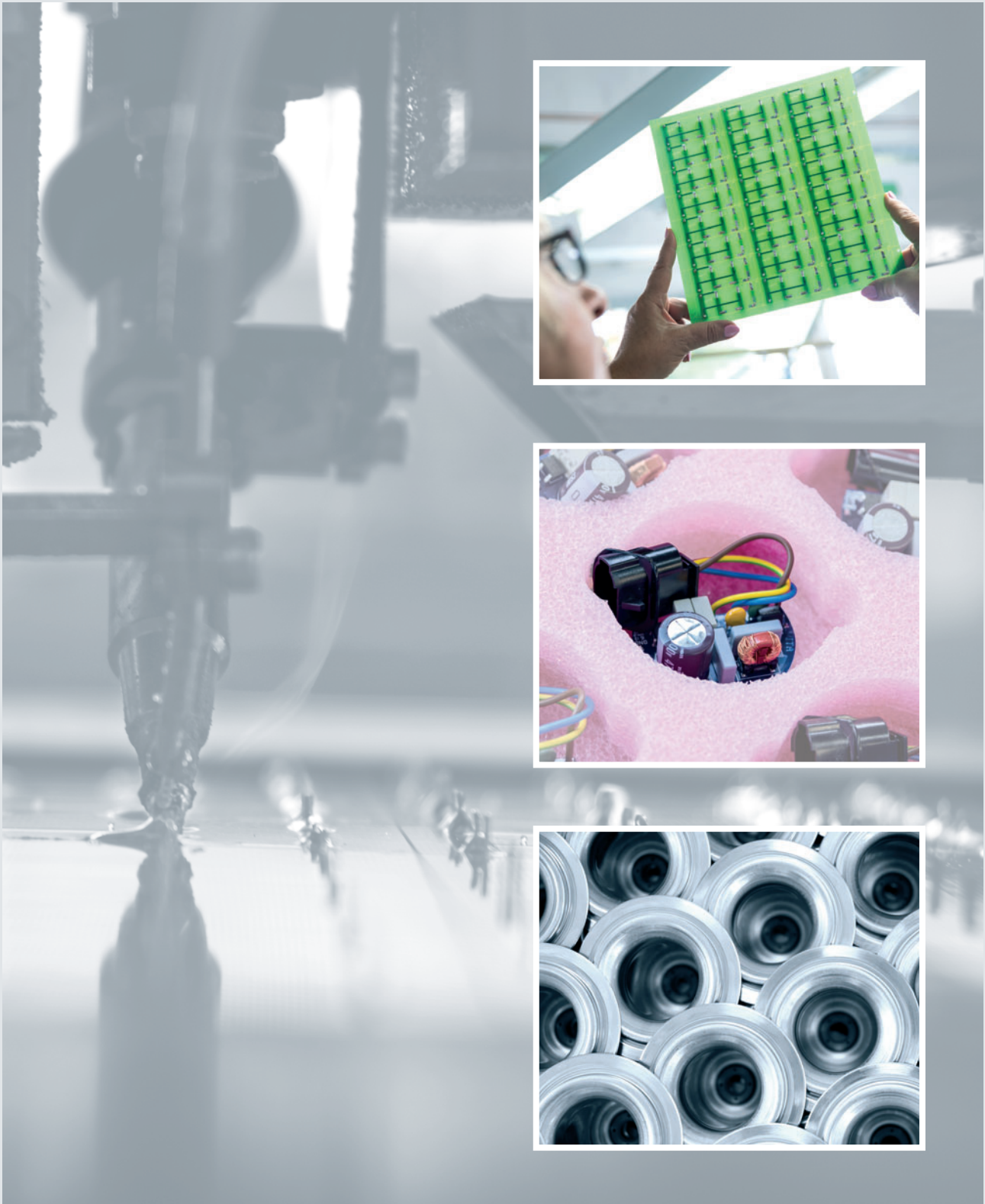
Characteristic WITA Delta TOP 60





High efficiency pumps

WITA – Quality made in Germany





High efficiency pumps

WITA Delta MAXI 80

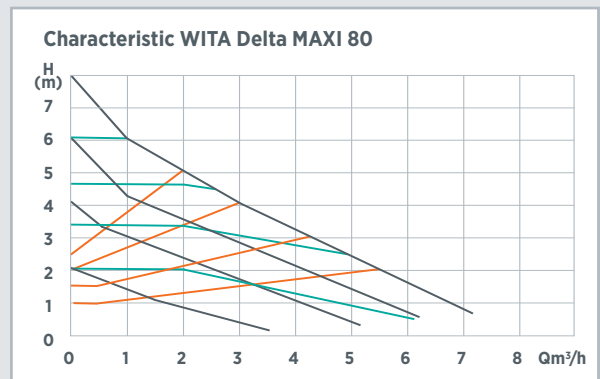
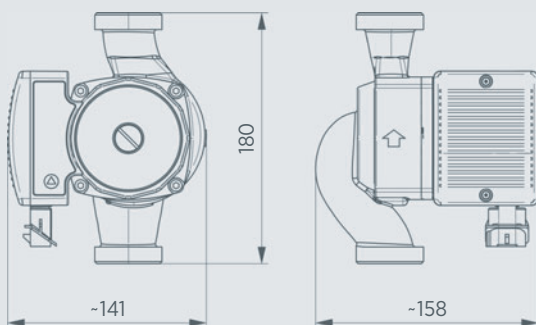
Product specials

- Warranty
- Venting program
- Keylock
- Anti-block function
- Also available with PWM module



Technical Data

Max. pump lift	8.0 m
Max. flow rate	7.200 l/h
Power consumption	9 - 78 W
Control	4 constant characteristics, 4 proportional characteristics, Venting program, Keylock, anti-block function
Supply voltage	1 x 230V, 50 Hz
Motor protection	No external motor protection required
Ip rating	IP 42
Ambient temperature	0 °C to +40 °C
Media temperature	+5 °C to +110 °C
Temperature class	TF 110 as per CEN 335-2-51
Max. system pressure	10 bar
Connection size	DN 25, DN 32
Installation lengths	180 mm
Pump housing material	variant in grey cast iron, cataphoresis coated
Weight incl. insulation	2.9 kg
EEI	≤ 0.23
Special equipment	Also available with PWM module



High efficiency pumps

WITA Delta Plus UE 35A | UE 55A

Product specials

- Warranty
- Anti-block function

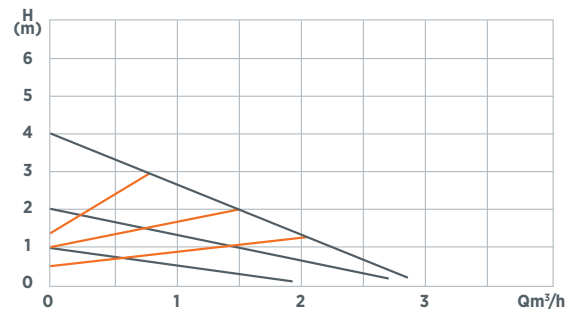


Technical Data

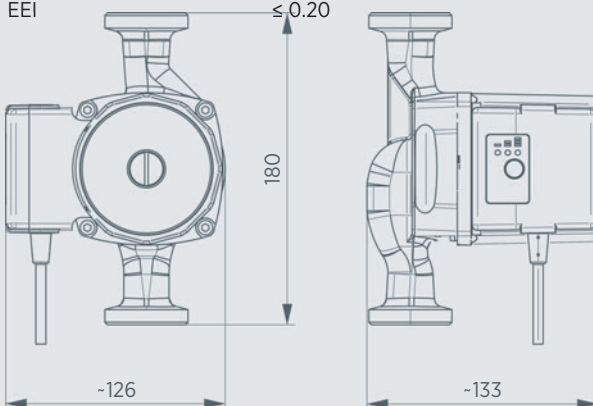
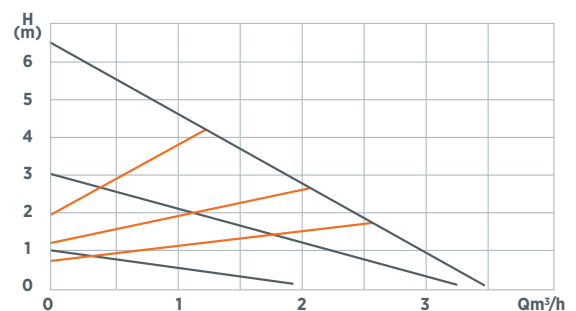
Max. pump lift	4.0 m 6.0 m
Max. flow rate	2.850 l/h 3.400 l/h
Power consumption	3 - 23 W 3 - 38 W
Control	3 constant characteristics, 3 proportional characteristics, anti-block function
Supply voltage	1 x 230V, 50 Hz
Motor protection	No external motor protection required
Ip rating	IP 42
Ambient temperature	0 °C to +40 °C
Media temperature	+5 °C to +110 °C
Temperature class	TF 110 as per CEN 335-2-51
Max. system pressure	10 bar
Connection size	DN 15, DN 20, DN 25, DN 32
Installation lengths	110 mm, 130 mm, 180 mm
Pump housing material	130 mm, 180 mm variant in grey cast iron cataphoresis coated; 110 mm, 130 mm variant in brass
Weight incl. insulation	2.5 kg
EEI	≤ 0.20



Characteristic WITA Delta Plus UE 35A



Characteristic WITA Delta Plus UE 55A





High efficiency pumps

WITA Delta Plus UE 65A | UE 80A

Product specials

- Warranty
- Anti-block function

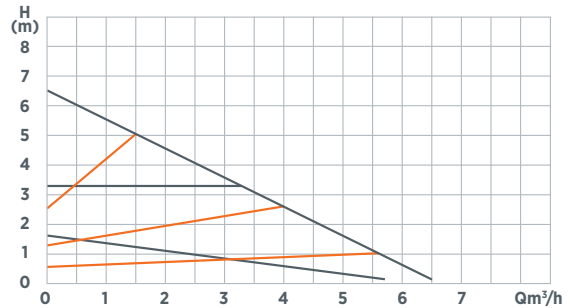


Technical Data

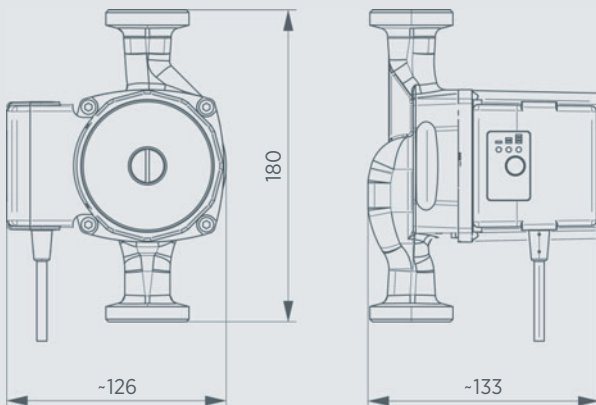
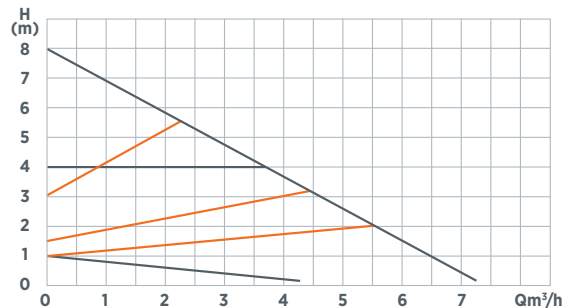
Max. pump lift	6.5 m 8.0 m
Max. flow rate	6.470 l/h 7.350 l/h
Power consumption	4 - 75 W 7 - 75 W
Control	3 constant characteristics, 3 proportional characteristics, anti-block function
Supply voltage	1 x 230V, 50 Hz
Motor protection	No external motor protection required
Ip rating	IP 42
Ambient temperature	0 °C to +40 °C
Media temperature	+5 °C to +110 °C
Temperature class	TF 110 as per CEN 335-2-51
Max. system pressure	10 bar
Connection size	DN 25, DN 32
Installation lengths	180 mm
Pump housing material	variant in grey cast iron, cataphoresis coated
Weight incl. insulation	2.9 kg
EEI	≤ 0.23 ≤ 0.20



Characteristic WITA Delta Plus UE 65A



Characteristic WITA Delta Plus UE 80A





High efficiency pumps

WITA Delta Plus UE 70A | UE 75A

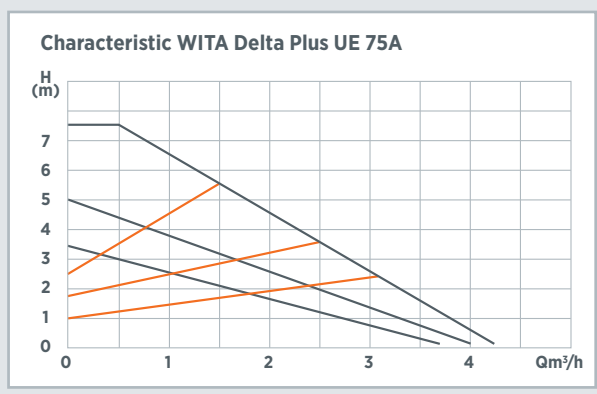
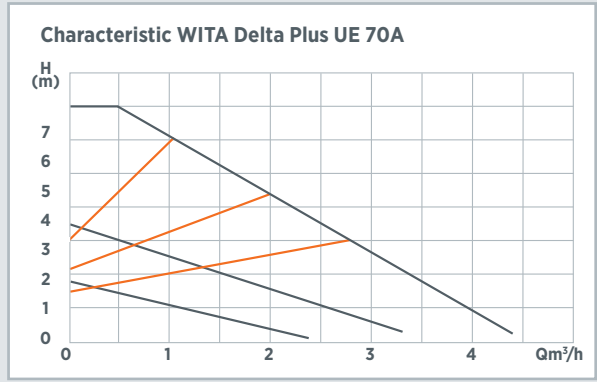
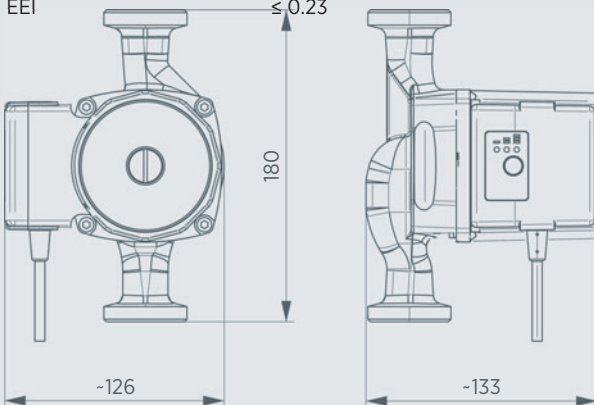
Product specials

- Warranty
- Anti-block function



Technical Data

Max. pump lift	7.0 m 7.5 m
Max. flow rate	4.400 l/h 4.300 l/h
Power consumption	7 - 71 W 4 - 75 W
Control	3 constant characteristics, 3 proportional characteristics, anti-block function
Supply voltage	1 x 230V, 50 Hz
Motor protection	No external motor protection required
Ip rating	IP 42
Ambient temperature	0 °C to +40 °C
Media temperature	+5 °C to +110 °C
Temperature class	TF 110 as per CEN 335-2-51
Max. system pressure	10 bar
Connection size	DN 20, DN 25, DN 32
Installation lengths	110 mm, 130 mm, 180 mm
Pump housing material	130 mm, 180 mm variant in grey cast iron cataphoresis coated; 110 mm, 130 mm variant in brass
Weight incl. insulation	2.5 kg
EEI	≤ 0.23





High efficiency pumps

WITA Delta HE 75

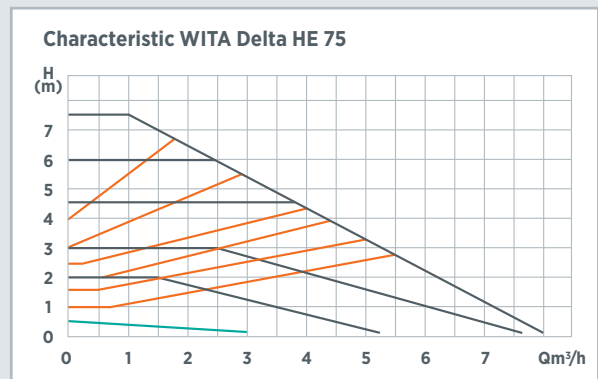
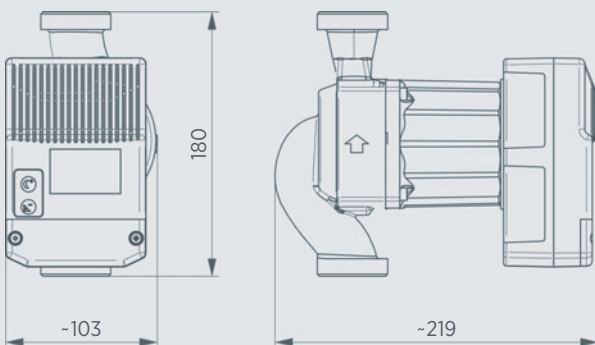
Product specials

- Warranty
- Display of the current power consumption
- Night mode
- Anti-block function
- Also available with PWM module



Technical Data

Max. pump lift	7.5 m
Max. flow rate	7.850 l/h
Power consumption	5 - 98 W
Control	5 constant characteristics, 6 proportional characteristics, night mode, anti-block function
Supply voltage	1 x 230V, 50 Hz
Motor protection	No external motor protection required
Ip rating	IP 42
Ambient temperature	0 °C to +40 °C
Media temperature	+5 °C to +110 °C
Temperature class	TF 110 as per CEN 335-2-51
Max. system pressure	10 bar
Connection size	DN 25, DN 32
Installation lengths	180 mm
Pump housing material	variant in grey cast iron, cataphoresis coated
Weight incl. insulation	3.2 kg
EEI	≤ 0.23
Special equipment	Also available with PWM module



High efficiency pumps

WITA Delta HE 100 | HE 120

Product specials

- Warranty
- Display of the current power consumption
- Night mode
- Anti-block function
- Also available with PWM module

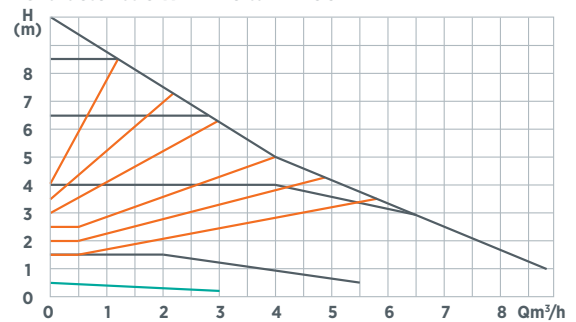


Technical Data

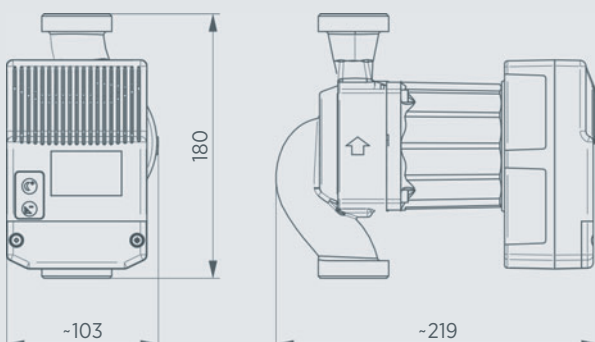
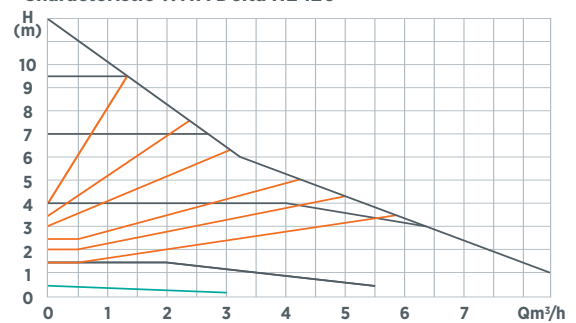
Max. pump lift	10.0 m 12.0 m
Max. flow rate	8.800 l/h 8.800 l/h
Power consumption	5 - 123 W 5 - 127 W
Control	5 constant characteristics, 6 proportional characteristics, night mode, anti-block function
Supply voltage	1 x 230V, 50 Hz
Motor protection	No external motor protection required
Ip rating	IP 42
Ambient temperature	0 °C to +40 °C
Media temperature	+5 °C to +110 °C
Temperature class	TF 110 as per CEN 335-2-51
Max. system pressure	10 bar
Connection size	DN 25, DN 32
Installation lengths	180 mm
Pump housing material	variant in grey cast iron, cataphoresis coated
Weight incl. insulation	3.2 kg
EEI	≤ 0.23
Special equipment	Also available with PWM module



Characteristic WITA Delta HE 100



Characteristic WITA Delta HE 120





High efficiency pumps

WITA Delta HE 75 F

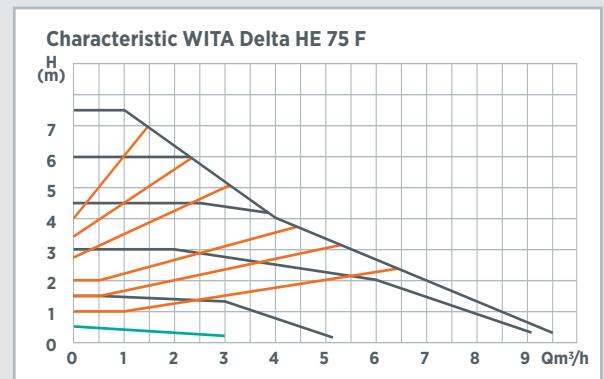
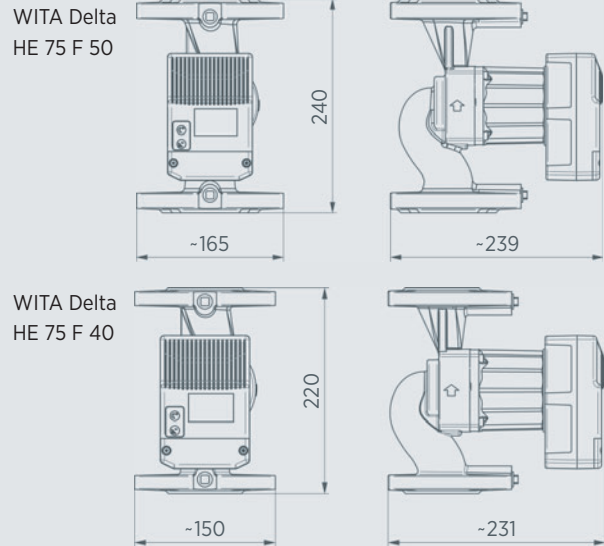
Product specials

- Warranty
- Display of the current power consumption
- Night mode
- Anti-block function
- Also available with PWM module



Technical Data

Max. pump lift	7.5 m
Max. flow rate	9.450 l/h
Power consumption	5 - 98 W
Control	5 constant characteristics, 6 proportional characteristics, night mode, anti-block function
Supply voltage	1 x 230V, 50 Hz
Motor protection	No external motor protection required
Ip rating	IP 42
Ambient temperature	0 °C to +40 °C
Media temperature	+5 °C to +110 °C
Temperature class	TF 110 as per CEN 335-2-51
Max. system pressure	10 bar
Connection size	DN 40, DN 50
Installation lengths	DN 40 / 220 mm, DN 50 / 240 mm
Pump housing material	variant in grey cast iron, cataphoresis coated
Weight incl. insulation	DN 40 / 7.0 kg, DN 50 / 8.0 kg
EEI	≤ 0.23
Special equipment	Also available with PWM module





High efficiency pumps

WITA Delta HE 100 F | HE 120 F

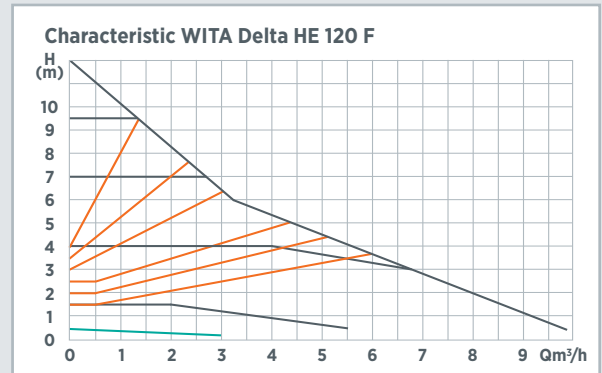
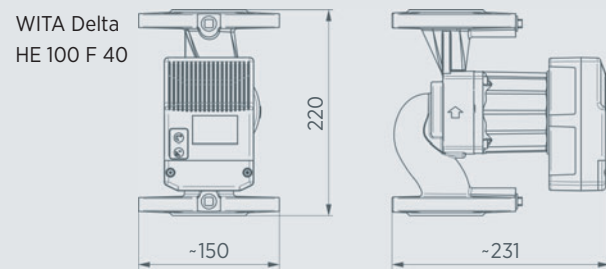
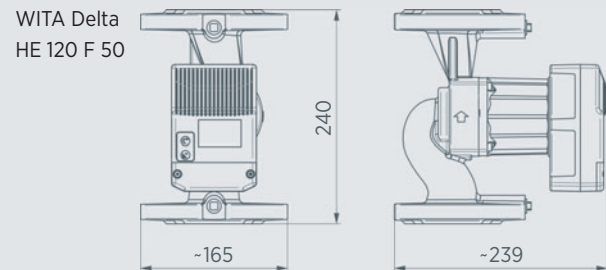
Product specials

- Warranty
- Display of the current power consumption
- Night mode
- Anti-block function
- Also available with PWM module



Technical Data

Max. pump lift	10.0 m 12.0 m
Max. flow rate	9.950 l/h 9.950 l/h
Power consumption	5 - 123 W 5 - 127 W
Control	5 constant characteristics, 6 proportional characteristics, night mode, anti-block function
Supply voltage	1 x 230V, 50 Hz
Motor protection	No external motor protection required
Ip rating	IP 42
Ambient temperature	0 °C to +40 °C
Media temperature	+5 °C to +110 °C
Temperature class	TF 110 as per CEN 335-2-51
Max. system pressure	10 bar
Connection size	DN 40, DN 50
Installation lengths	DN 40 / 220 mm, DN 50 / 240 mm
Pump housing material	variant in grey cast iron, cataphoresis coated
Weight incl. insulation	DN 40 / 7.0 kg, DN 50 / 8.0 kg
EEI	≤ 0.23
Special equipment	Also available with PWM module





Domestic hot water pumps

WITA Delta Aqua UE 35A | UE 55A

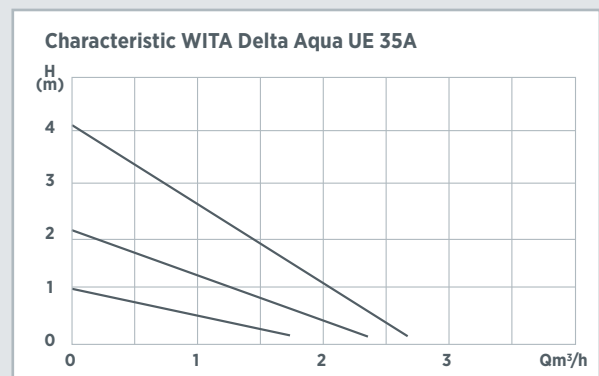
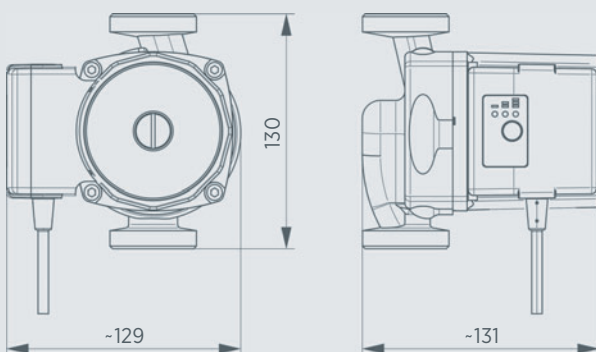
Product specials

- Warranty
- Anti-block function
- 4.0 m | 6.0 m pump lift



Technical Data

Max. pump lift	4.0 m 6.0 m
Max. flow rate	2.600 l/h 2.850 l/h
Power consumption	3 - 23 W 4 - 38 W
Rotor shaft	ceramics
Control	3 constant characteristics, anti-block function
Supply voltage	1 x 230V, 50 Hz
Motor protection	No external motor protection required
Ip rating	IP 42
Ambient temperature	0 °C to +40 °C
Media temperature	+5 °C to 95 °C
Max. system pressure	10 bar
Connection size	DN 25
Material motor housing	Aluminium
Pump housing material	Brass
Weight incl. insulation	2.3 kg



Domestic hot water pumps

WITA UPH 15® | UPH 20-KS

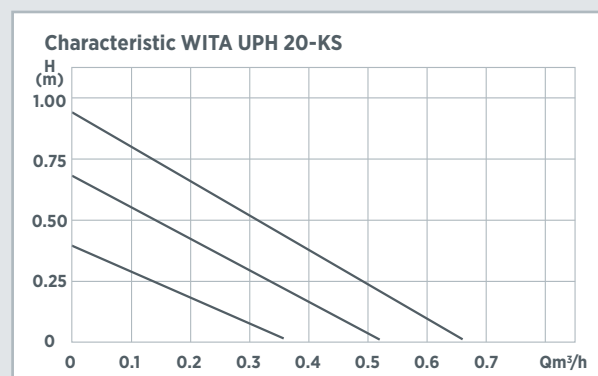
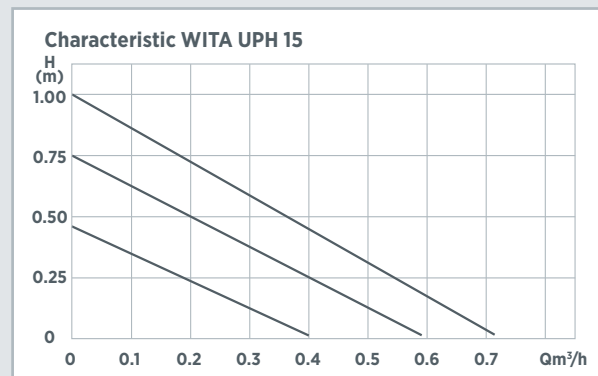
Product specials

- Warranty
- Anti-block function
- 2,5 – 8,0 W power consumption
- UPH 20-KS Ball valve
- Non return valve

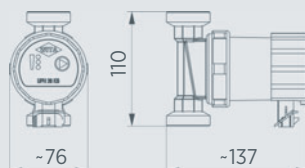


Technical Data

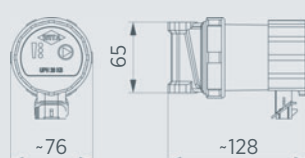
Max. pump lift	1.0 m 0.9 m
Max. flow rate	700 l/h 650 l/h
Power consumption	2,5 – 8,0 W
Control	3 constant characteristics, anti-block function
Supply voltage	1 x 230V, 50 Hz
Motor protection	No external motor protection required
Ip rating	IP 42
Ambient temperature	0 °C to +40 °C
Media temperature	+5 °C to 65 °C
Max. system pressure	10 bar
Connection size	DN 15, DN 20
Pump housing material	Brass
Special equipment	
UPH 20-KS	Ball valve Non return valve



WITA UPH 20-KS



WITA UPH 15





Three speed pumps | export model*

WITA U 25

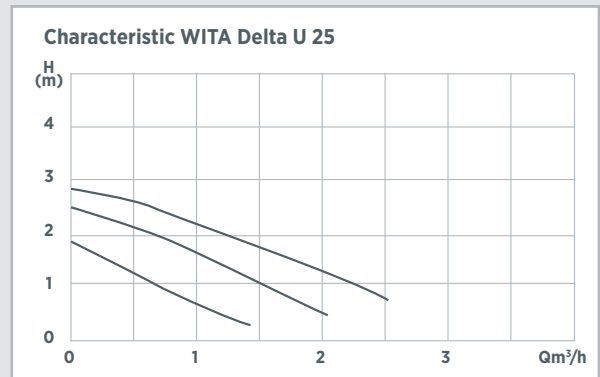
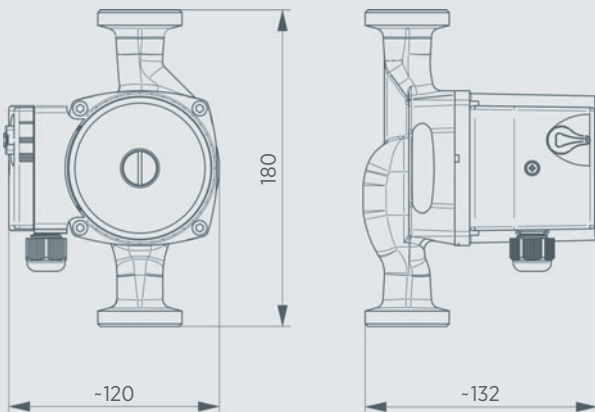
Product specials

- Warranty
- Cataphoresis coated pump housing



Technical Data

Max. pump lift	2.75 m
Max. flow rate	2.640 l/h
Power consumption	28 - 46 W
Supply voltage	1 x 230V, 50 Hz
Ip rating	IP 42
Ambient temperature	0 °C to +40 °C
Media temperature	+5 °C to +110 °C
Temperature class	TF 110 as per CEN 335-2-51
Max. system pressure	10 bar
Connection size	DN 15, DN 20, DN, 25, DN 32
Installation lengths	110 mm, 130 mm, 180 mm
Pump housing material	variant in grey cast iron, cataphoresis coated, Brass
Weight incl. insulation	2.5 kg



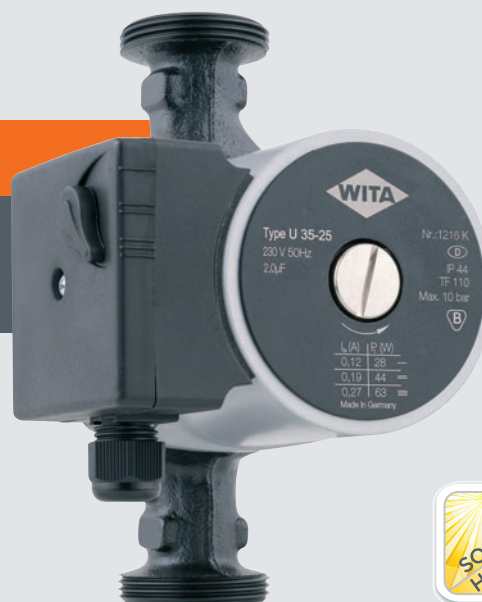
* available only outside the EU

Three speed pumps | export model*

WITA U 35

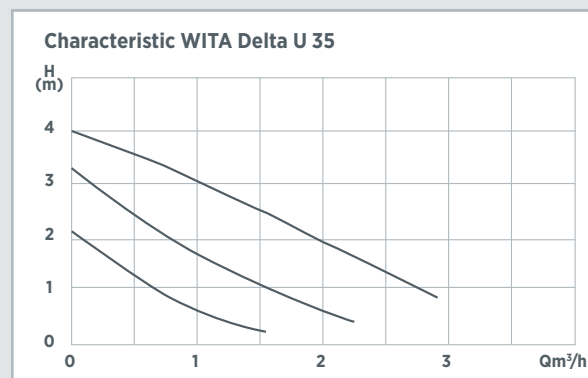
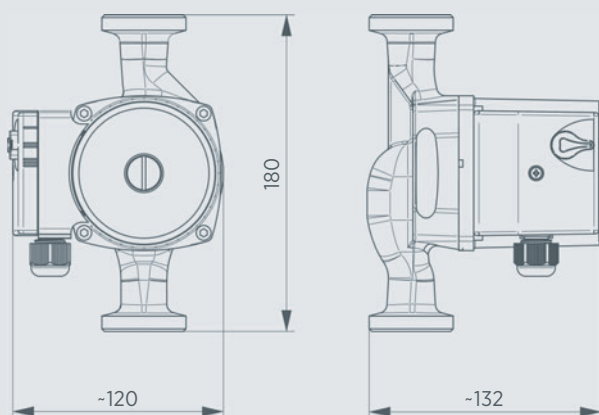
Product specials

- Warranty
- Cathaphoresis coated pump housing



Technical Data

Max. pump lift	4 m
Max. flow rate	3.000 l/h
Power consumption	28 - 63 W
Supply voltage	1 x 230V, 50 Hz
Ip rating	IP 42
Ambient temperature	0 °C to +40 °C
Media temperature	+5 °C to +110 °C
Temperature class	TF 110 as per CEN 335-2-51
Max. system pressure	10 bar
Connection size	DN 15, DN 20, DN, 25, DN 32
Installation lengths	110 mm, 130 mm, 180 mm
Pump housing material	variant in grey cast iron, cataphoresis coated, Brass
Weight incl. insulation	2.5 kg



* available only outside the EU



Three speed pumps | export model*

WITA U 55

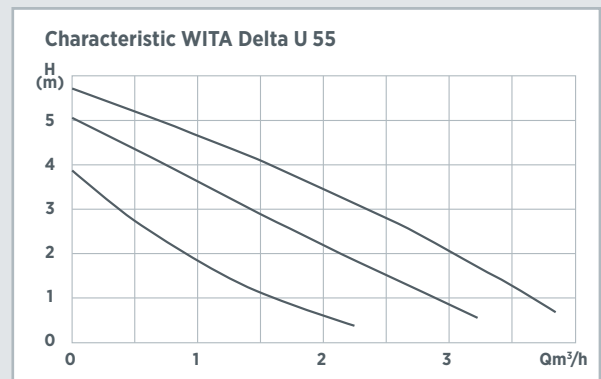
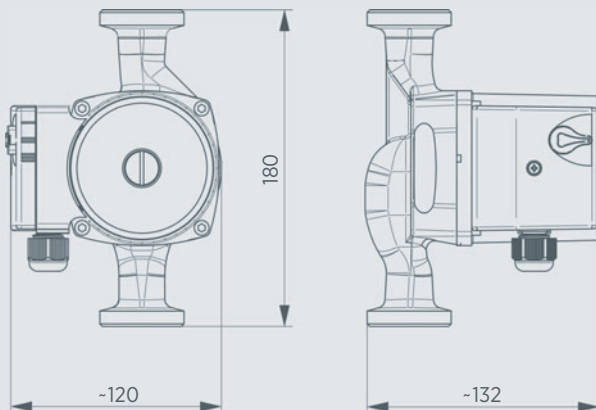
Product specials

- Warranty
- Cataphoresis coated pump housing



Technical Data

Max. pump lift	6 m
Max. flow rate	3.700 l/h
Power consumption	39 - 80 W
Supply voltage	1 x 230V, 50 Hz
Ip rating	IP 42
Ambient temperature	0 °C to +40 °C
Media temperature	+5 °C to +110 °C
Temperature class	TF 110 as per CEN 335-2-51
Max. system pressure	10 bar
Connection size	DN 15, DN 20, DN, 25, DN 32
Installation lengths	110 mm, 130 mm, 180 mm
Pump housing material	variant in grey cast iron, cataphoresis coated, Brass
Weight incl. insulation	2.5 kg



* available only outside the EU



Three speed pumps | export model*

WITA U 75

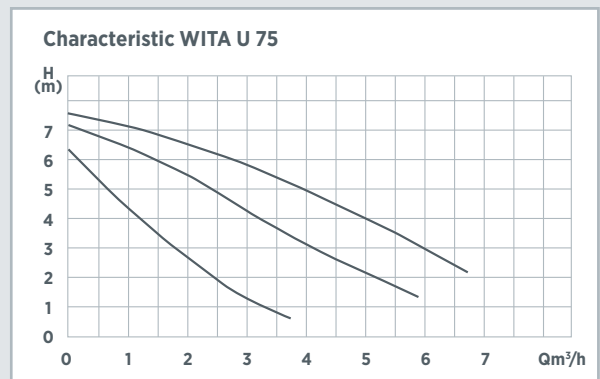
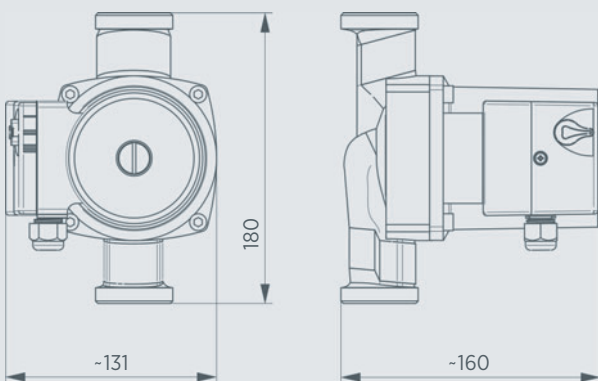
Product specials

- Warranty
- Cataphoresis coated pump housing



Technical Data

Max. pump lift	7.5 m
Max. flow rate	6.500 l/h
Power consumption	122 - 172 W
Supply voltage	1 x 230V, 50 Hz
Motor protection	No external motor protection required
Ip rating	IP 42
Ambient temperature	0 °C to +40 °C
Media temperature	+5 °C to +110 °C
Temperature class	TF 110 as per CEN 335-2-51
Max. system pressure	10 bar
Connection size	DN, 25, DN 32
Installation lengths	130 mm, 180 mm
Pump housing material	variant in grey cast iron, cataphoresis coated
Weight incl. insulation	3.9 kg



* available only outside the EU



High efficiency pumps

High efficiency pumps

Pump type	go.future LED 40	go.future LED 60	go.future LCD 40	go.future LCD 60	go.future light 40	go.future light 60	UP 70	MIDI 40	MIDI 60	MAXI 80	Top 40	Top 60	UE 35A	UE 55A
Max. pump lift	4,0 m	6,0 m	4,0 m	6,0 m	4,0 m	6,0 m	7,0 m	4,0 m	6,0 m	8,0 m	4,0 m	6,0 m	4,0 m	6,0 m
Max. flow rate	2.600 l/h	3.200 l/h	2.600 l/h	3.200 l/h	2.800 l/h	3.600 l/h	3.900 l/h	2.800 l/h	3.600 l/h	7.200 l/h	2.800 l/h	2.800 l/h	2.850 l/h	3.400 l/h
Min. power consumption	3 W	3 W	3 W	3 W	3 W	4 W	4 W	3 W	3 W	9 W	3 W	3 W	3 W	3 W
Max. power consumption	23 W	38 W	23 W	38 W	23 W	42 W	42 W	23 W	42 W	78 W	23 W	42 W	23 W	38 W
Number of constant characteristics	3	3	3	3	4	4	4	4	4	4	4	4	3	3
Number of proportional characteristics	4	4	4	4	4	4	4	4	4	4	4	4	3	3
Number of constant pressure characteristics	-	-	-	-	-	-	-	-	-	4	-	-	-	-
Min. operating function / manually night mode	X	X	X	X	-	-	-	X	X	-	X	X	-	-
Automatically night mode	X	X	X	X	-	-	-	-	-	-	-	-	-	-
Venting function	-	-	-	-	-	-	X	X	X	X	X	X	-	-
Keylock	-	-	-	-	-	-	X	X	X	X	X	X	-	-
Venting screw	-	-	-	-	-	-	X	X	X	X	X	X	X	X
Display of electric power	X	X	X	X	-	-	-	-	-	-	X	X	-	-
Aluminum housing cover	-	-	-	-	-	-	-	-	-	X	-	-	-	-
Rotor made of Neodym	-	-	-	-	-	-	-	-	-	X	-	-	-	-
Pump plug	X	X	X	X	X	X	-	X	X	X	X	X	-	-
Mains cable	X	X	X	X	-	-	X	-	-	-	-	-	X	X
Serial PWM function	-	-	-	-	-	-	-	-	-	-	X	X	-	-
Available with PWM module	-	-	-	-	-	-	X	X	X	X	-	-	X	X
Upgrade with PWM module	-	-	-	-	-	-	-	X	X	X	-	-	-	-
EEL	≤ 0,20	≤ 0,20	≤ 0,20	≤ 0,20	≤ 0,18	≤ 0,20	≤ 0,15	≤ 0,18	≤ 0,20	≤ 0,23	≤ 0,18	≤ 0,20	≤ 0,20	≤ 0,20
Pump housing 130 mm GG* / CuZn#	X	X	X	X	X	X	X	X	X	-	X	X	X	X
Pump housing 180 mm GG*	X	X	X	X	X	X	X	X	X	X	X	X	X	X
Pump housing 110 mm CuZn#	X	X	X	X	X	X	X	X	X	-	X	X	X	X
Pump housing 220 mm GG*	-	-	-	-	-	-	-	-	-	-	-	-	-	-
Pump housing 240 mm GG*	-	-	-	-	-	-	-	-	-	-	-	-	-	-
Connection size DN 15	X	X	X	X	X	X	X	X	X	-	X	X	X	X
Connection size DN 20	X	X	X	X	X	X	X	X	X	-	X	X	X	X
Connection size DN 25	X	X	X	X	X	X	X	X	X	X	X	X	X	X
Connection size DN 32	X	X	X	X	X	X	X	X	X	X	X	X	X	X
Connection size DN 40	-	-	-	-	-	-	-	-	-	-	-	-	-	-
Connection size DN 50	-	-	-	-	-	-	-	-	-	-	-	-	-	-

Domestic hot water pump

Pump type	Delta Aqua UE 35A	Delta Aqua UE 55A	UPH 15	UPH 20-KS
Max. pump lift	4,0 m	6 m	1,0 m	0,9 m
Max. flow rate	2.600 l/h	2.850 l/h	700 l/h	650 l/h
Min. power consumption	3 W	4 W	2,5 W	2,5 W
Max. power consumption	23 W	38 W	8 W	8 W
Number of constant characteristics	3	3	3	3
Pump housing 130 mm CuZn#	X	X	-	-
Pump housing 65 mm CuZn#	-	-	X	-
Pump housing 110 mm CuZn#	-	-	-	X
Connection size DN 15	-	-	X	-
Connection size DN 20	-	-	-	X
Connection size DN 25	X	X	-	-
Ball valve and return valve	-	-	-	X

GG*
Grey cast iron coated
by cathoporesis

CuZn#
Brass



High efficiency pumps

UE 65A	UE 70A	UE 75A	UE 80A	HE 35 LED	HE 55 LED	HE 35 LCD	HE 55 LCD	HE light 40	HE light 60	HE 75	HE 100	HE 120	HE 75 F	HE 100 F	HE 120 F
6,5 m	7,0 m	7,5 m	8,0 m	4,0 m	6,0 m	4,0 m	6,0 m	4,0 m	6,0 m	7,5 m	10,0 m	12,0 m	7,5 m	10,0 m	12,0 m
6.470 l/h	4.400 l/h	4.300 l/h	7.350 l/h	2.600 l/h	3.200 l/h	2.600 l/h	3.200 l/h	2.600 l/h	3.200 l/h	7.850 l/h	8.800 l/h	8.800 l/h	9.450 l/h	9.950 l/h	9.950 l/h
4 W	7 W	4 W	7 W	3 W	3 W	3 W	3 W	4 W	5 W	5 W	5 W	5 W	5 W	5 W	5 W
75 W	71 W	75 W	75 W	23 W	38 W	23 W	38 W	23 W	38 W	98 W	123 W	127 W	98 W	123 W	127 W
3	3	3	3	3	3	3	3	3	3	5	5	5	5	5	5
3	3	3	3	4	4	4	4	3	3	6	6	6	6	6	6
-	-	-	-	-	-	-	-	-	-	-	-	-	-	-	-
-	-	-	-	X	X	X	X	-	-	X	X	X	X	X	X
-	-	-	-	X	X	X	X	-	-	X	X	X	X	X	X
-	-	-	-	-	-	X	X	-	-	X	X	X	X	X	X
-	-	-	-	-	-	-	-	-	-	-	-	-	-	-	-
X	X	X	X	-	-	-	-	-	-	-	-	-	-	-	-
-	-	-	-	X	X	X	X	-	-	X	X	X	X	X	X
X	X	X	X	-	-	-	-	-	-	-	X	X	-	X	X
-	X	-	X	-	-	-	-	-	-	X	X	X	X	X	X
-	-	-	-	X	X	X	X	X	X	X	X	X	X	X	X
X	X	X	X	X	X	X	X	X	X	X	X	X	X	X	X
-	-	-	-	-	-	-	-	-	-	X	X	-	-	-	-
X	X	X	X	-	-	-	-	-	-	X	X	X	X	X	X
-	-	-	-	-	-	-	-	-	-	-	-	-	-	-	-
≤ 0,23	≤ 0,23	≤ 0,23	≤ 0,20	≤ 0,20	≤ 0,20	≤ 0,20	≤ 0,20	≤ 0,20	≤ 0,20	≤ 0,23	≤ 0,23	≤ 0,23	≤ 0,23	≤ 0,23	≤ 0,23
-	X	X	-	X	X	X	X	X	X	-	-	-	-	-	-
X	X	X	X	X	X	X	X	X	X	X	X	X	X	X	X
-	X	X	-	X	X	X	X	X	X	-	-	-	-	-	-
-	-	-	-	-	-	-	-	-	-	-	-	-	X	X	X
-	-	-	-	-	-	-	-	-	-	-	-	-	X	X	X
-	X	X	-	X	X	X	X	X	X	-	-	-	-	-	-
-	X	X	-	X	X	X	X	X	X	-	-	-	-	-	-
X	X	X	X	X	X	X	X	X	X	X	X	X	-	-	-
X	X	X	X	X	X	X	X	X	X	X	X	X	-	-	-
-	-	-	-	-	-	-	-	-	-	-	-	-	X	X	X
-	-	-	-	-	-	-	-	-	-	-	-	-	X	X	X



You have not found a suitable high efficiency pump for your special application ?

Please contact us. Together we will find a solution !



High efficiency pumps

Exchange overview circulating pumps

	WITA DELTA UP 70	WITA DELTA MIDI 40/60	WITA DELTA MAXI 80	WITA DELTA HE 35/55 light	WITA DELTA HE 35/55	WITA DELTA HE 35/55 LCD
Grundfos						
Alpha 1 XX-40	WITA DELTA UP 70	WITA DELTA Midi 40	-	WITA DELTA HE35 light	WITA DELTA HE 35	WITA DELTA HE 35 LCD
Alpha 1 XX-60	WITA DELTA UP 70	WITA DELTA Midi 60	-	WITA DELTA HE55 light	WITA DELTA HE 55	WITA DELTA HE 55 LCD
Alpha 2 XX-40	WITA DELTA UP 70	WITA DELTA Midi 40	-	WITA DELTA HE35 light	WITA DELTA HE 35	WITA DELTA HE 35 LCD
Alpha 2 XX-60	WITA DELTA UP 70	WITA DELTA Midi 60	-	WITA DELTA HE55 light	WITA DELTA HE 55	WITA DELTA HE 55 LCD
Alpha 2 XX-80	-	-	WITA DELTA Maxi 80	-	-	-
Alpha 2 L XX-40	WITA DELTA UP 70	WITA DELTA Midi 40	-	WITA DELTA HE35 light	WITA DELTA HE 35	WITA DELTA HE 35 LCD
Alpha 2 L XX-60	WITA DELTA UP 70	WITA DELTA Midi 60	-	WITA DELTA HE55 light	WITA DELTA HE 55	WITA DELTA HE 55 LCD
Alpha 3 XX-40	WITA DELTA UP 70	WITA DELTA Midi 40	-	WITA DELTA HE35 light	WITA DELTA HE 35	WITA DELTA HE 35 LCD
Alpha 3 XX-60	WITA DELTA UP 70	WITA DELTA Midi 60	-	WITA DELTA HE55 light	WITA DELTA HE 55	WITA DELTA HE 55 LCD
Alpha 3 XX-80	-	-	WITA DELTA Maxi 80	-	-	-
Magna3 25/32-40	-	-	WITA DELTA Maxi 80	-	-	-
Magna3 25/32-60	-	-	WITA DELTA Maxi 80	-	-	-
Magna3 25/32-80	-	-	-	-	-	-
Magna3 25/32-100	-	-	-	-	-	-
Magna3 40/50-40F	-	-	-	-	-	-
Magna3 40/50-60F	-	-	-	-	-	-
UP 15-14	-	-	-	-	-	-
UP 20-14	-	-	-	-	-	-
Xylem/Lowara						
Basic/Premium XX-4	WITA DELTA UP 70	WITA DELTA Midi 40	-	WITA DELTA HE35 light	WITA DELTA HE 35	WITA DELTA HE 35 LCD
Basic/Premium XX-6	WITA DELTA UP 70	WITA DELTA Midi 60	-	WITA DELTA HE55 light	WITA DELTA HE 55	WITA DELTA HE 55 LCD
ecocirc Pro 15-1/65	-	-	-	-	-	-
ecocirc Pro 15-1/110	-	-	-	-	-	-
Wilo						
Stratos Pico XX/1-4	WITA DELTA UP 70	WITA DELTA Midi 40	-	WITA DELTA HE35 light	WITA DELTA HE 35	WITA DELTA HE 35 LCD
Stratos Pico XX/1-6	WITA DELTA UP 70	WITA DELTA Midi 60	-	WITA DELTA HE55 light	WITA DELTA HE 55	WITA DELTA HE 55 LCD
Yonos Pico XX/1-4	WITA DELTA UP 70	WITA DELTA Midi 40	-	WITA DELTA HE35 light	WITA DELTA HE 35	WITA DELTA HE 35 LCD
Yonos Pico XX/1-6	WITA DELTA UP 70	WITA DELTA Midi 60	-	WITA DELTA HE55 light	WITA DELTA HE 55	WITA DELTA HE 55 LCD
Stratos XX/1-4	-	-	WITA DELTA Maxi 80	-	-	-
Stratos XX/1-6	-	-	WITA DELTA Maxi 80	-	-	-
Stratos XX/1-8	-	-	-	-	-	-
Stratos XX/1-8	-	-	-	-	-	-
Stratos40/1-10	-	-	-	-	-	-
Stratos50/1-10	-	-	-	-	-	-
Star-Z Nova 84 mm / 1/2" IG	-	-	-	-	-	-
Star-Z Nova A 138 mm / 1" AG	-	-	-	-	-	-
Stratos ECO-Z 25/1-5	-	-	-	-	-	-
Halm						
HEP Optimo XX-4.0 G	WITA DELTA UP 70	WITA DELTA Midi 40	-	WITA DELTA HE35 light	WITA DELTA HE 35	WITA DELTA HE 35 LCD
HEP Optimo Basic XX-4.0 G	WITA DELTA UP 70	WITA DELTA Midi 40	-	WITA DELTA HE35 light	WITA DELTA HE 35	WITA DELTA HE 35 LCD
HEP Optimo XX-6.0 G	WITA DELTA UP 70	WITA DELTA Midi 60	-	WITA DELTA HE55 light	WITA DELTA HE 55	WITA DELTA HE 55 LCD
HEP Optimo Basic XX-6.0 G	WITA DELTA UP 70	WITA DELTA Midi 60	-	WITA DELTA HE55 light	WITA DELTA HE 55	WITA DELTA HE 55 LCD
HEP Optimo L+ XX-4.0 G	-	-	WITA DELTA Maxi 80	-	-	-
HEP Optimo L+ XX-6.0 G	-	-	-	-	-	-

ONLY ORIGINAL WITH THE DIAMOND



WITA® - Wilhelm Taake GmbH

Böllingshöfen 85 | D-32549 Bad Oeynhausen
phone: +49 5734 512380 | fax: +49 5734 1752
www.wita.de | info@wita.de

HEL-WITA Sp. z o.o.

Zielonka, ul. Biznesowa 22 | 86-005 Białe Błota
phone: + 48 52 564 09 00 | fax: + 48 52 564 09 22
www.wita.pl | info@wita.pl

We reserve the right of production related deviations in dimension and design as well as the right of error and technical modifications.